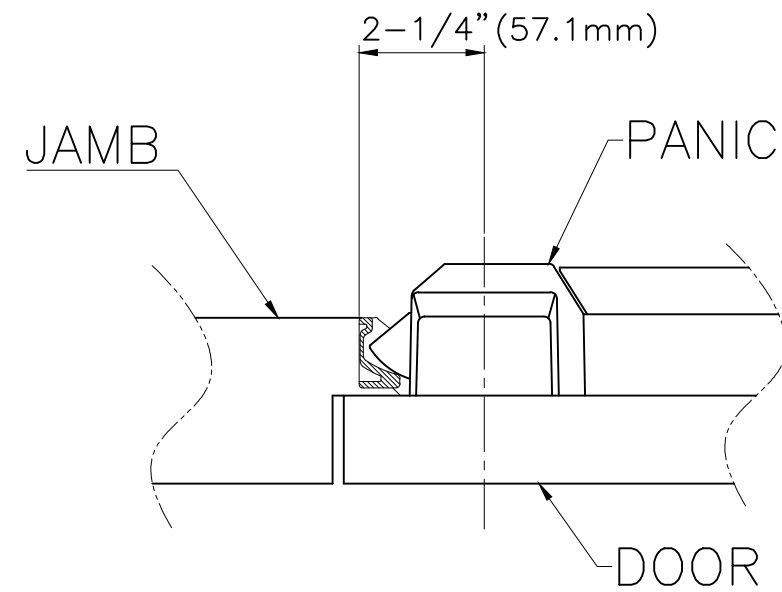
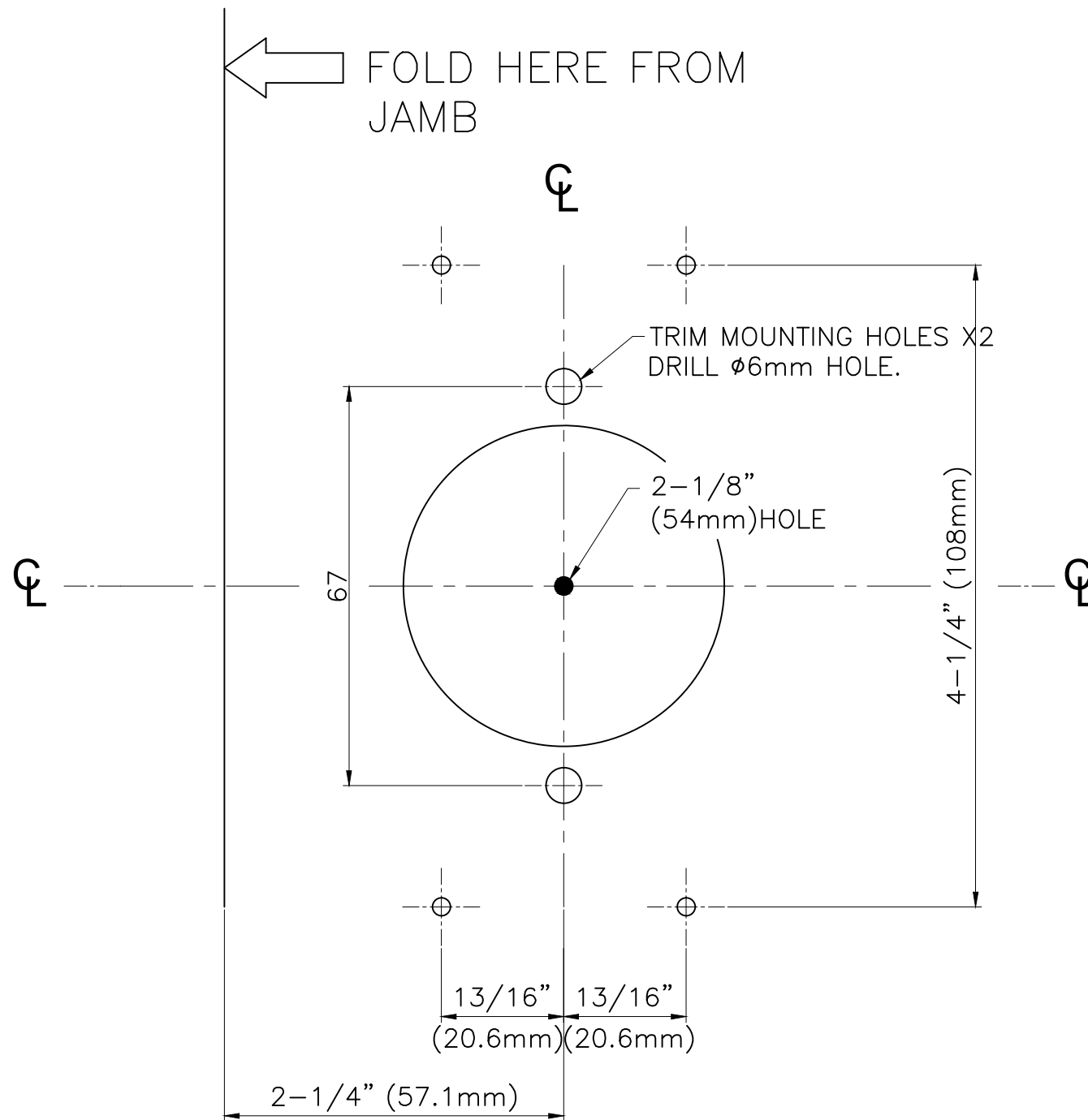



Rev.NO	DATE	REVISIONS	APPROVED
△			



	PART NO	PART NAME	QUANTITY	MATERIAL	REMARK
<small>UNLESS OTHERWISE SPECIFIED ALL DIMENSION ARE IN MILLIMETERS.</small>  0 - 6 ±0.1 6 - 30 ±0.2 30 - 200 ±0.3 3RD-ANGLE PROTECTION ANGLE ±0.3°	PART NO	MATERIAL	QUANTITY	SCALE	FINISH
	DRAWN BY/DATE		MODEL		
	DESIGNED BY/DATE		PART NAME		
	CHECKED BY/DATE		DWG NO.		
APPROVED BY/DATE					

