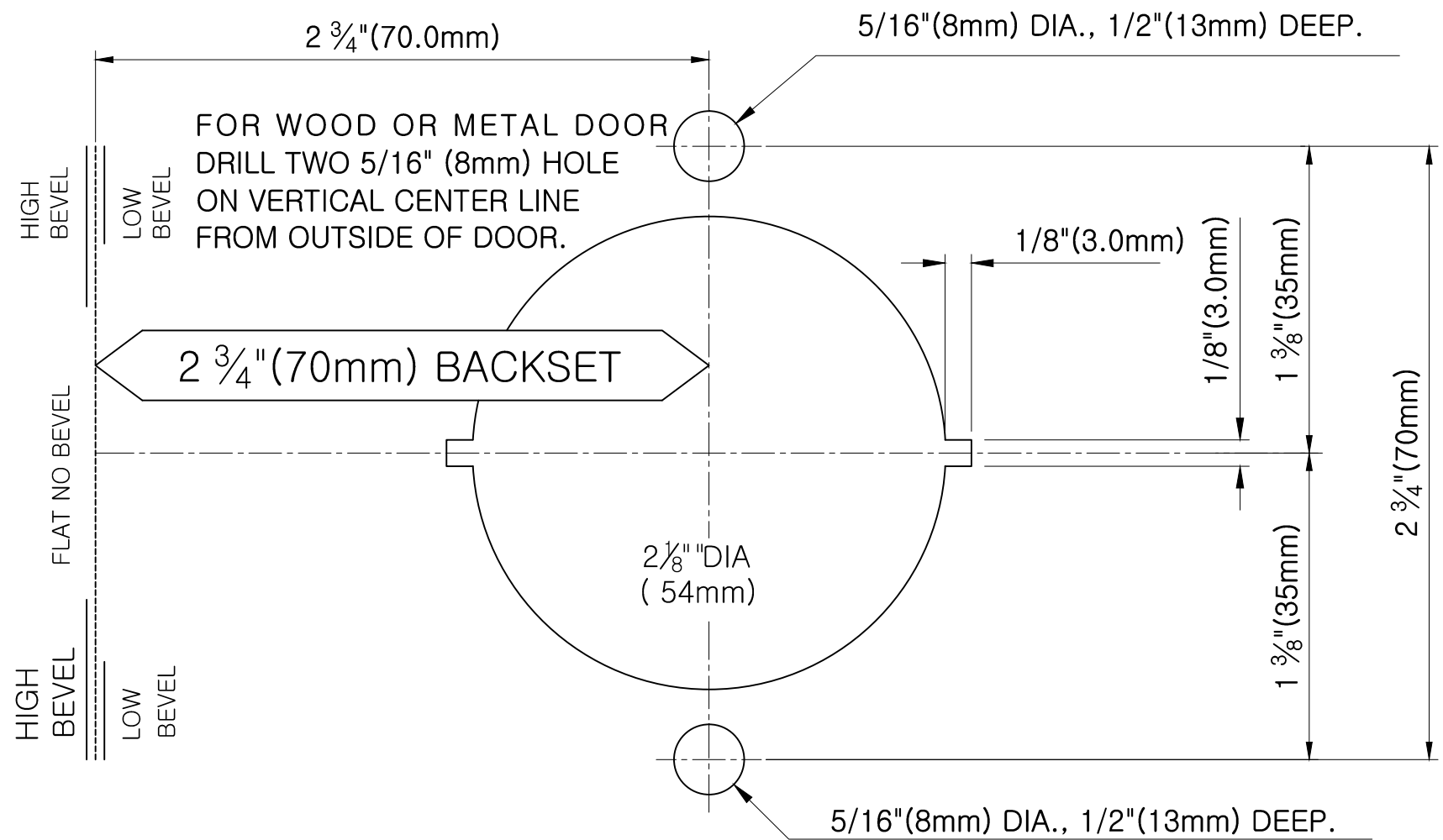


Rev.NO	DATE	REVISIONS	APPROVED
1			



PART NO	PART NAME	QUANTITY	MATERIAL	REMARK
---------	-----------	----------	----------	--------

UNLESS OTHERWISE SPECIFIED ALL DIMENSION ARE IN MILLIMETERS.			PART NO	MATERIAL	QUANTITY	SCALE	FINISH
 3RD-ANGLE PROTECTION	0 - 6	±0.1	DRAWN BY/DATE		MODEL		
	6 - 30	±0.2	DESIGNED BY/DATE		PART NAME		
	30 - 200	±0.3	CHECKED BY/DATE		DWG NO.		
	ANGLE	±0.3°	APPROVED BY/DATE				

