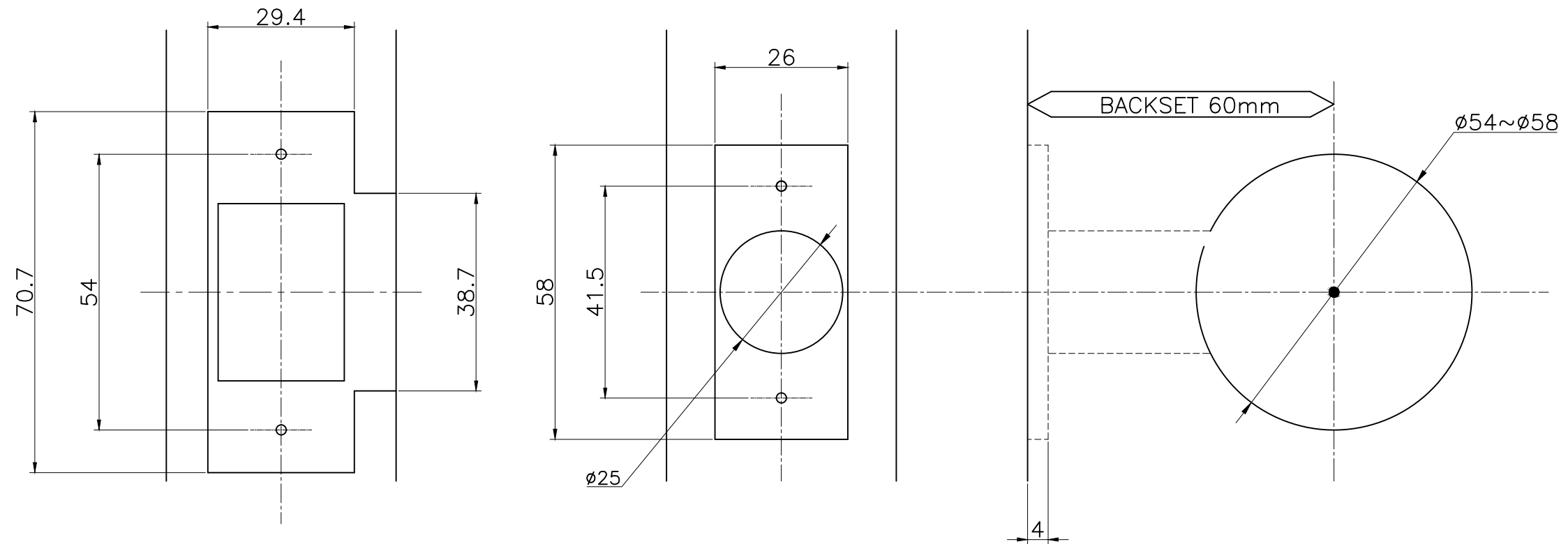


Rev.NO	DATE	REVISIONS	APPROVED
△			



PART NO	PART NAME	QUANTITY	MATERIAL	REMARK						
PART NO	MATERIAL	QUANTITY	SCALE	FINISH						
UNLESS OTHERWISE SPECIFIED ALL DIMENSION ARE IN MILLIMETERS.		DRAWN BY/DATE								
<table border="1"> <tr> <td>0 - 6</td> <td>±0.1</td> </tr> <tr> <td>6 - 30</td> <td>±0.2</td> </tr> <tr> <td>30 - 200</td> <td>±0.3</td> </tr> </table>		0 - 6	±0.1	6 - 30	±0.2	30 - 200	±0.3	DESIGNED BY/DATE		
0 - 6	±0.1									
6 - 30	±0.2									
30 - 200	±0.3									
3RD-ANGLE PROTECTION		CHECKED BY/DATE								
		APPROVED BY/DATE								
		MODEL								
		PART NAME								
		DWG NO.								