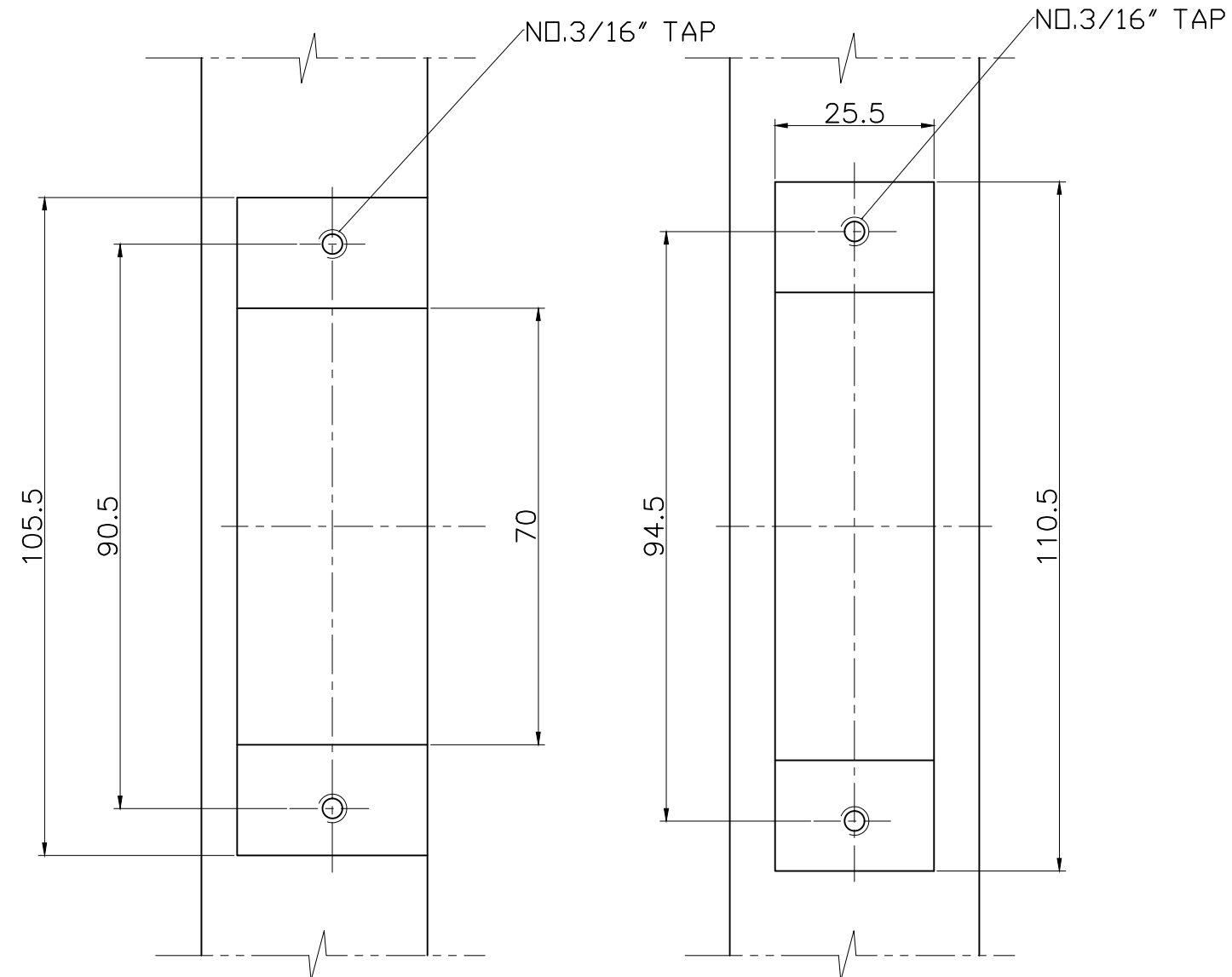
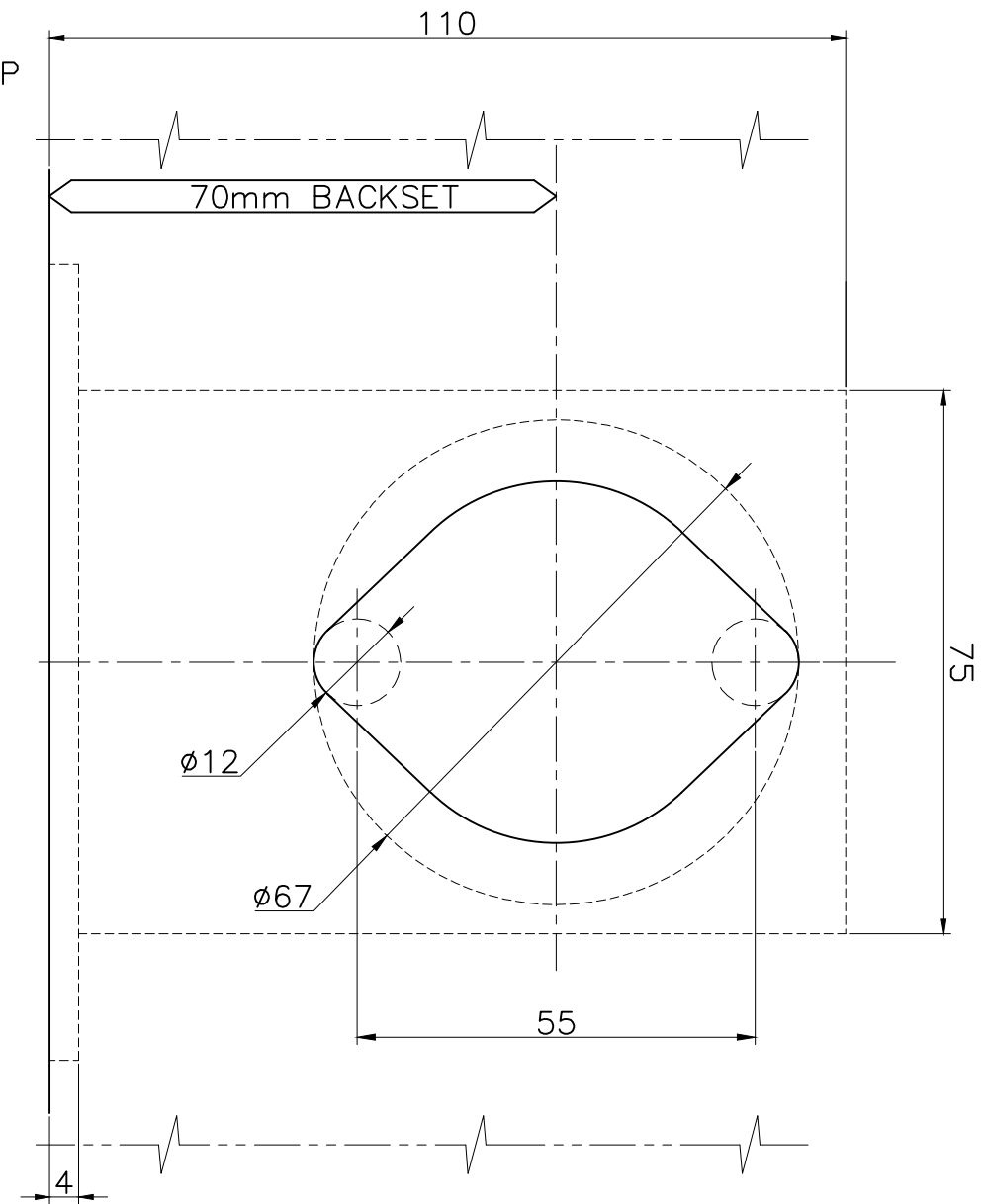


Rev.NO	DATE	REVISIONS	APPROVED
△			



FRAME



DOOR

PART NO	PART NAME	QUANTITY	MATERIAL	REMARK
UNLESS OTHERWISE SPECIFIED ALL DIMENSION ARE IN MILLIMETERS.				
ϕ	0 - 6	± 0.1		
	6 - 30	± 0.2		
\square	30 - 200	± 0.3		
3RD-ANGLE PROTECTION	ANGLE	$\pm 0.3'$		
DRAWN BY/DATE		MODEL		
DESIGNED BY/DATE		PART NAME		
CHECKED BY/DATE		DWG NO.		
APPROVED BY/DATE				

