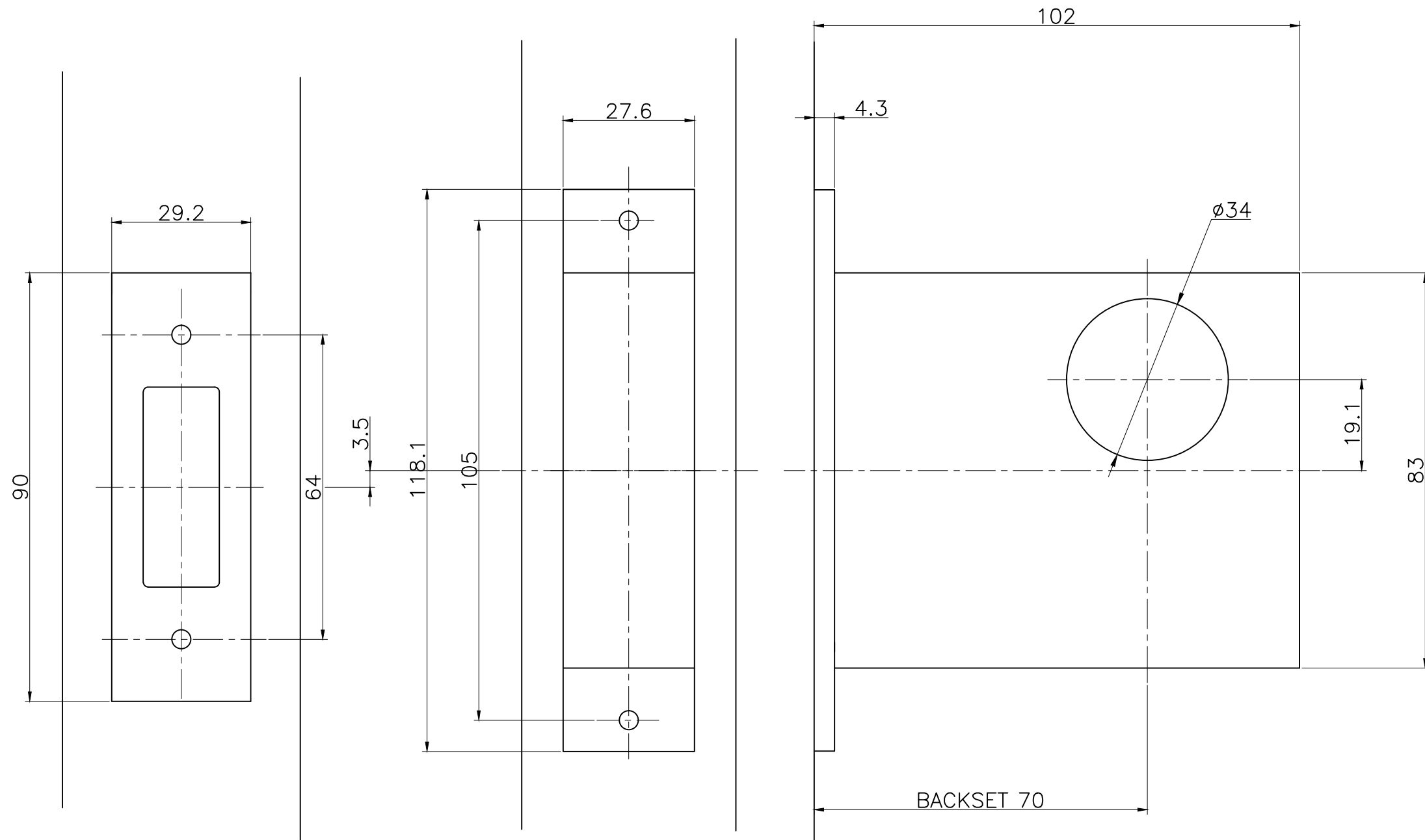


Rev.NO	DATE	REVISIONS	APPROVED
△1			



UNLESS OTHERWISE SPECIFIED ALL DIMENSION ARE IN MILLIMETERS.		PART NO	PART NAME	QUANTITY	MATERIAL	REMARK
 3RD-ANGLE PROTECTION	0 - 6	±0.1	PART NO		MATERIAL	QUANTITY
	6 - 30	±0.2	DRAWN BY/DATE		SCALE	FINISH
	30 - 200	±0.3	DESIGNED BY/DATE		MODEL	
	ANGLE	±0.3°	CHECKED BY/DATE		PART NAME	
		APPROVED BY/DATE		DWG NO.		