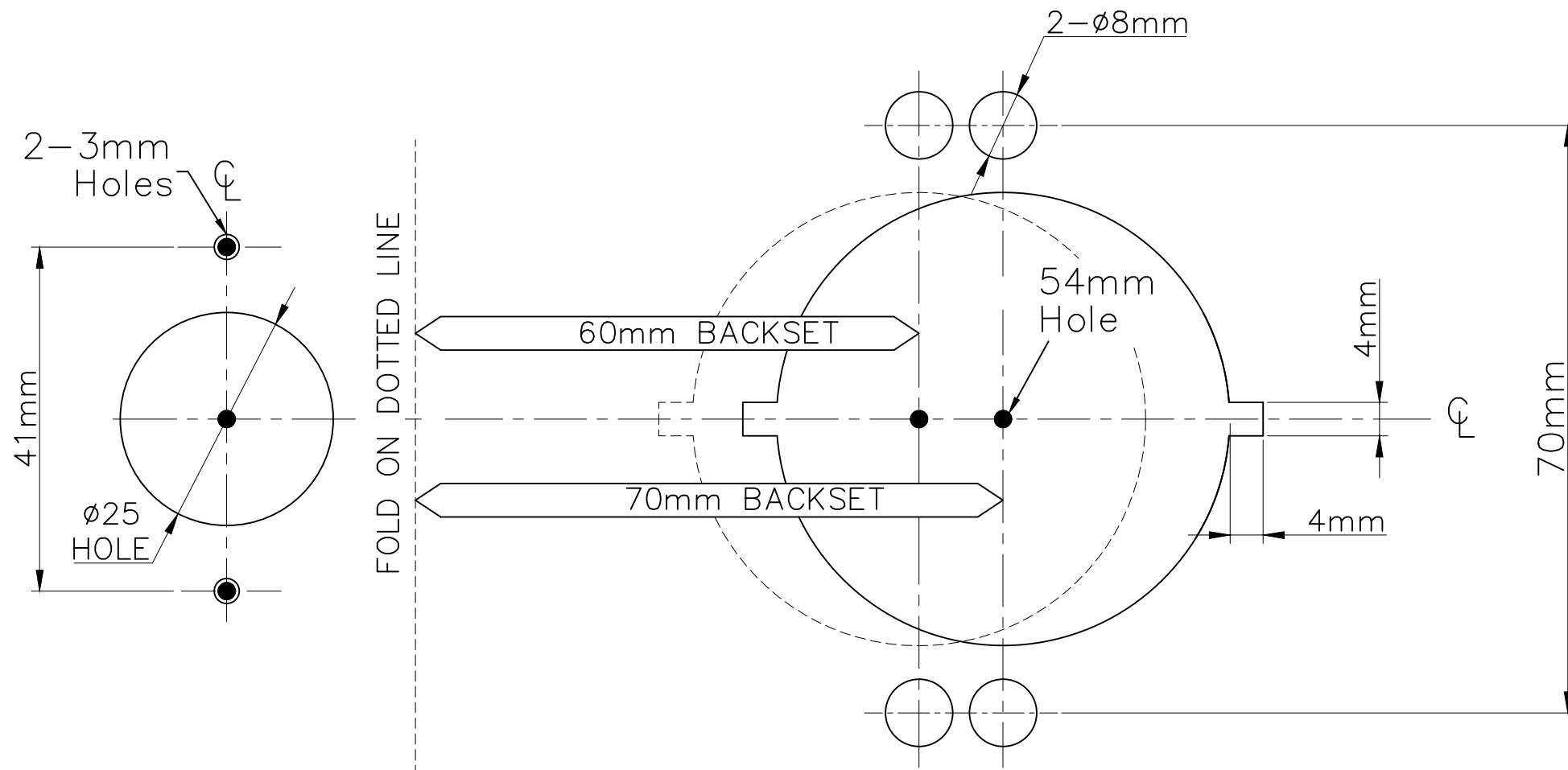
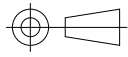


Rev.NO	DATE	REVISIONS	APPROVED
1			



PART NO	PART NAME	QUANTITY	MATERIAL	REMARK
---------	-----------	----------	----------	--------

UNLESS OTHERWISE SPECIFIED ALL DIMENSION ARE IN MILLIMETERS.		PART NO	MATERIAL	QUANTITY	SCALE	FINISH
 3RD-ANGLE PROTECTION	0 - 6	± 0.1	DRAWN BY/DATE		MODEL	
	6 - 30	± 0.2	DESIGNED BY/DATE		PART NAME	
	30 - 200	± 0.3	CHECKED BY/DATE		DWG NO.	
	ANGLE	$\pm 0.3^\circ$	APPROVED BY/DATE			

